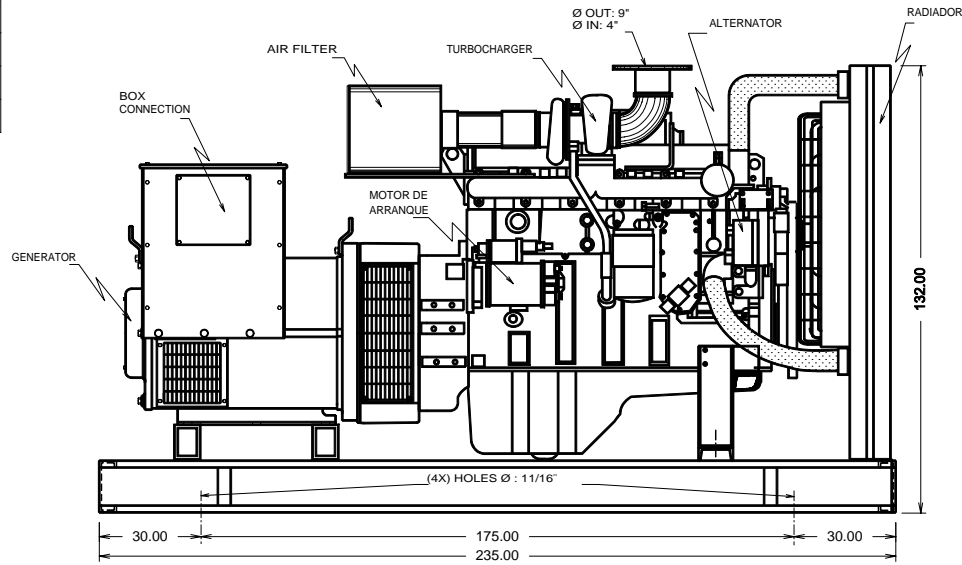
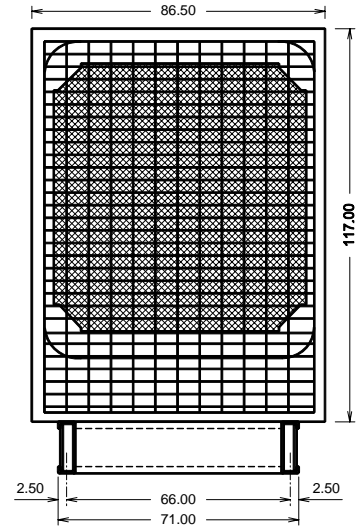


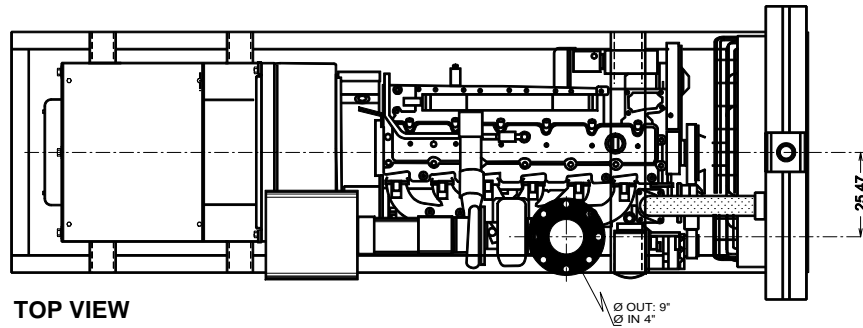
MODELS
 CNE175
 CNY190
 CNY150
 CNY175



SIDE VIEW



FRONT VIEW



TOP VIEW

DESCRIPTION	
RADIATOR:	OT3 - 125
ENGINE:	6CTA8.3G2
AIR FILTER:	AH1196
BASE FRAME:	BMT-6CTA8-STF
# SPRING AVMS	4 PZS

NOTES:
 -THE GENSET DIMENSIONS ARE THE SAME BY FAMILY MODEL, THERE COULD BE ONLY DIFFERENCES ON THE ALTERNATOR LENGHT SEE SPECIFIC GENERAL ARRAGEMENT DRAWING OF CERTAIN MODEL
 -TOTAL WEIGHT COULD VARY CHECK RATING CHART FOR EACH MODEL

Customer: _____ S/O: _____

Rev.	Description	Date	Certificated

Title: **CUMMINS ENGINE 6CTA8.3G2 - STAMFORD ALTERNATOR**

Draw: R.G.C. Revised: F.H.M. Certificated: F.H.M. Code: **CNE/Y-06**

Date: JAN 05th 2005 Date: JAN 05th 2005 Date: JAN 05th 2005 Dept.: Engineering

Marks: cms Draw: _____

Scale: s/e _____

Of: _____

Reviews



Ottomotors keeps the right to change the information with out prior notice